



HUMIDITY SEPARATORS S25/S HV and VH PN16 – PN40

DESCRIPTION

S-25 HV and VH series centrifugal separators remove moisture from steam and compressed air pipelines. Steam and compressed air passing through the separator and as a result of centrifugal forces, impact and swirling effects, separate the particles with a heavier specific gravity, such as water and oil droplets, moisture in suspension, dirt and scale.

The condensate collected at the bottom of the separator, must be automatically drained by a suitable steam or compressed air trap.

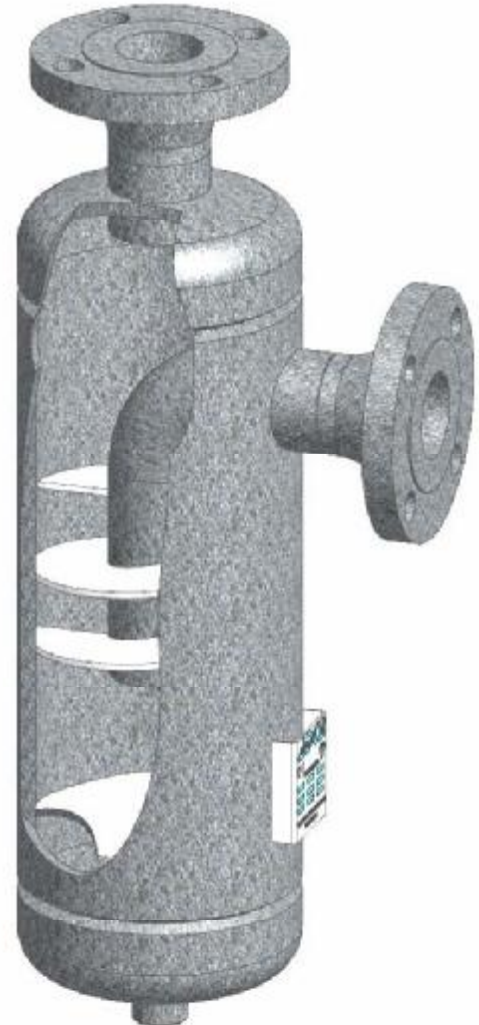
Connections are flanged.

MAIN FEATURES

Several possibilities of installation.

No moving parts.

- OPTIONS:** Zinc plated fabricated carbon steel construction (compressed air)
Condensate flanged connection.
- USE:** Steam, compressed air and other gases (Group 2).
- AVAILABLE MODELS:** S25/S HV or VH - carbon steel body.
S25/SZ HV or VH - zinc plated body
- SIZES:** DN15 to DN200.
- PIPE CONNECTIONS:** Flanged DIN PN16 and PN40
ANSI Class 150 lbs and Class 300 lbs
Female screwed BSP or NPT on request.
- INSTALLATION:** Always with the condensate discharge pointing downwards.
See IMI, installation and maintenance instructions.
- HOW TO SELECT:** Generally, in an existing plant it is advisable to fit a separator of the same size of the pipe line. Pressure drop is normally negligible. For approximate pressure drop calculation please consult.

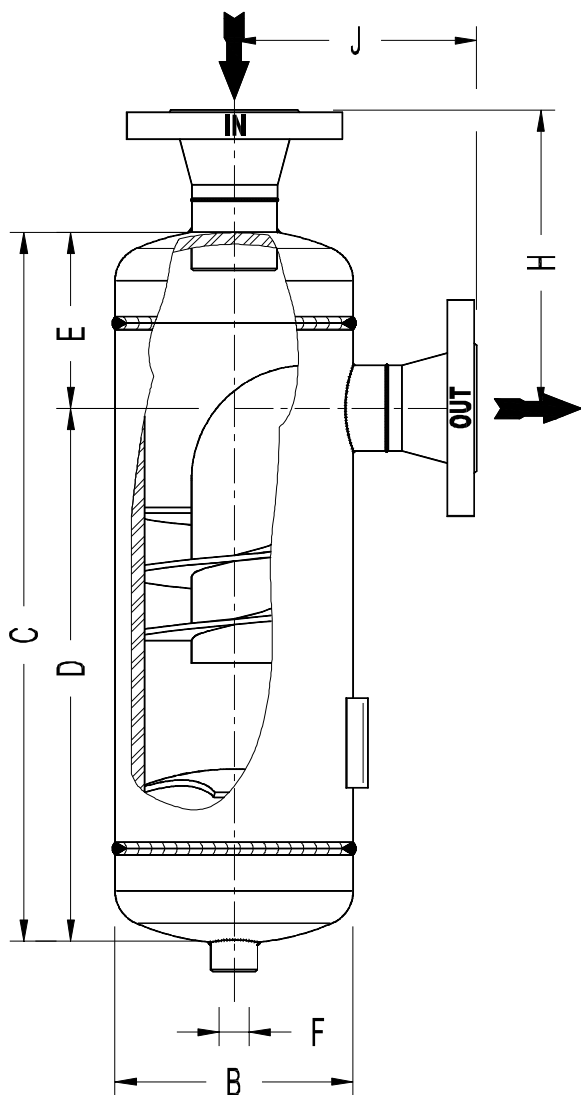




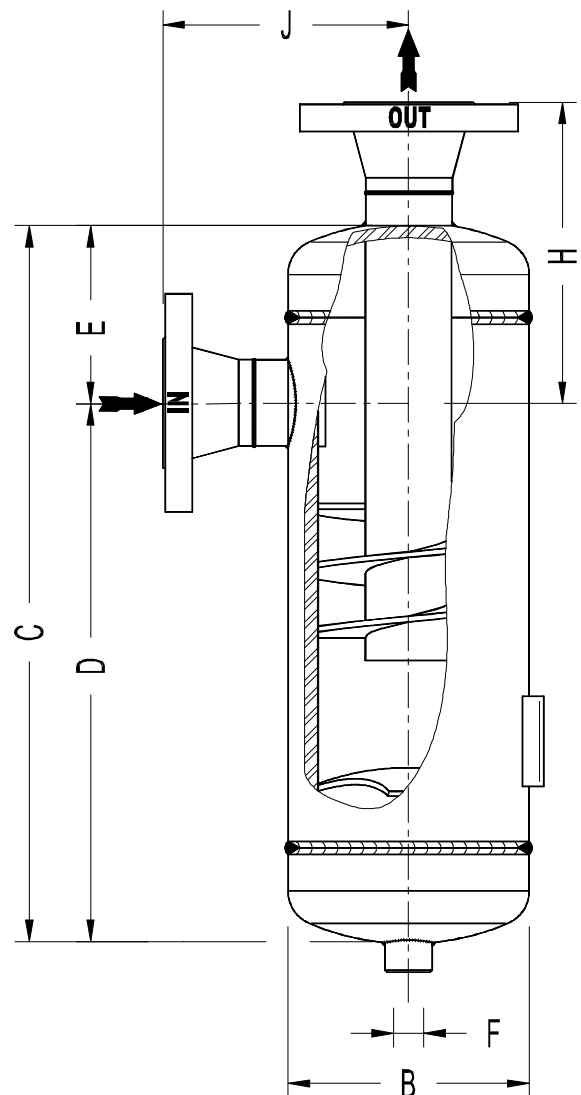
STEAM EQUIPMENT

MATERIALS		FLANGE CONNECTIONS			
DESIGNATION	MATERIAL	Rating	Sep. SIZE	DIN EN STD.	ANSI STD.
Body	EN10216-2 / P235GH / 1.0325	PN16	* DN15 to DN50	PN40 DIN 2635	ANSI B16.5 Cl.150 lbs
Heads	EN10028-2 / P265GH / 1.0425	PN16	DN65 to DN300	PN16 DIN 2633	ANSI B16.5 Cl.150 lbs
Inlet / Outlet pipes	EN10216-2 / P235GH / 1.0325	PN25	DN15 to DN150	PN40 DIN 2635	ANSI B16.5 Cl.300 lbs
DIN flanges	EN10222-2 / P250GH / 1.0460	PN25	DN200 to DN300	PN25 DIN 2634	ANSI B16.5 Cl.300 lbs
ANSI flanges	ASTM A105 / 1.0432	PN40	DN15 to DN300	PN40 DIN 2635	ANSI B16.5 Cl.300 lbs
Sockets	ASTM A105 / 1.0432	* Flanges PN16 (DIN2633) and PN40 (DIN2635) from DN15 to DN50 has the same number and size of holes.			
Internals	EN10025-2 / S235JR / 1.0038				

EN10204 3.1 certificate available if requested with the order.



VH - Direct vertical inlet / Horizontal outlet



HV – Direct horizontal inlet / Vertical outlet